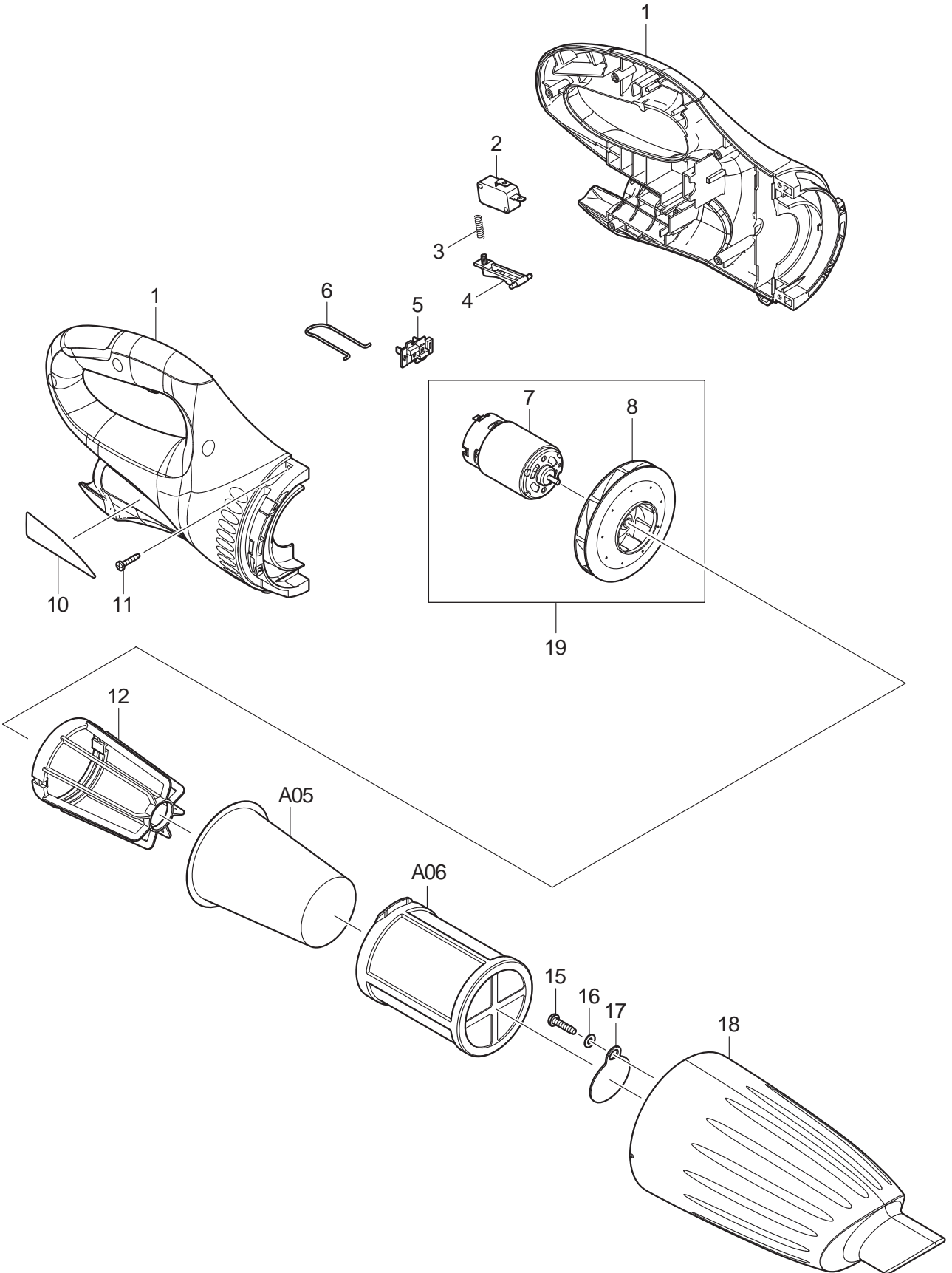




09 - 2010
LC01ZX (BLUE) / LC01Z (IVORY)
12V CLEANER



Item No	Type	Ref	Part No	Description	Qty	Unit
1	1		188731-2	HOUSING SET (BLUE)	1	PC.
	2		188976-2	HOUSING SET (BLUE)	1	PC.
1A	1		188688-7	HOUSING SET (IVORY) - N/A	1	PC.
	2		188977-0	HOUSING SET (IVORY) - N/A	1	PC.
2			651944-3	SWITCH DMC-1115-13	1	PC.
3			231473-8	COMPRESSION SPRING 4	1	PC.
4			451210-6	SWITCH LEVER	1	PC.
5			643817-4	TERMINAL	1	PC.
6			324885-3	HANGER	1	PC.
7			629865-7	DC MOTOR	1	PC.
8			240102-2	FAN 82	1	PC.
10			868902-4	LC01 NAME PLATE	1	PC.
11			266429-2	TAPPING SCREW 3X16	7	PC.
12	1		410237-5	STAY	1	PC.
	2		458467-0	STAY	1	PC.
15			265995-6	TAPPING SCREW 4X18	1	PC.
16			941051-3	FLAT WASHER 4	1	PC.
17			424208-6	VALVE	1	PC.
18			140759-8	CAPSULE COMPLETE	1	PC.
		INC.	892102-4	CAUTION LABEL (EN/FR/SP)	1	PC.
19			135405-6	MOTOR ASSEMBLY	1	PC.
		INC.		Item No. 7,8		
20			632H17-9	FUSE UNIT (Added)	1	PC.
		INC.	654069-2	RECEPTACLE	1	PC.
		INC.	451465-3	CAPSULE COMPLETE	1	PC.
A01	1		122859-6	NOZZLE ASSEMBLY (T-NOZZLE), BLUE	1	PC.
	1	INC.	268208-4	PIN 3	4	PC.
	1	INC.	451410-8	ROLLER	4	PC.
	1	INC.	424096-1	WIPER	1	PC.
	2		123488-8	NOZZLE ASSEMBLY (T-NOZZLE), BLUE	1	PC.
	2	INC.	268208-4	PIN 3	4	PC.
	2	INC.	451410-8	ROLLER	4	PC.
	2	INC.	424096-1	WIPER	1	PC.
C01			871619-0	CARTON	1	PC.
D01	1		654069-2	RECEPTACLE	6	PC.
	2		654069-2	RECEPTACLE	5	PC.

ACCESSORIES

- See catalogue or visit www.makita.ca for more accessories information

A02			451243-1	SASH NOZZLE(BLUE)	1	PC.
A03			451244-9	PIPE(BLUE)	1	PC.
A04			451245-7	SASH NOZZLE HOLDER(BLUE)	1	PC.
A05			443060-3	FILTER	1	PC.
A06			451208-3	PRE-FILTER	1	PC.
A07	1		122291-4	NOZZLE ASSEMBLY (T-NOZZLE), F/ CARPET, IVORY	1	PC.
	2		198150-4	NOZZLE ASSEMBLY (T-NOZZLE), F/ CARPET, IVORY, DX S	1	PC.
A08			191496-7	FLEXIBLE HOSE(IVORY)	1	PC.
A09			191724-0	SHELF BRUSH(IVORY)	1	PC.
A10	1		A-37471	ROUND BRUSH SET, IVORY	1	PC.
	2		198548-5	ROUND BRUSH SET, IVORY	1	PC.
A11			DC10WB	CHARGER DC10WB F/LI-ION 7.2, 10.8, 12V	1	PC.
A12			195332-9	12V MAX LI-ION BATTERY BL1014	1	PC.